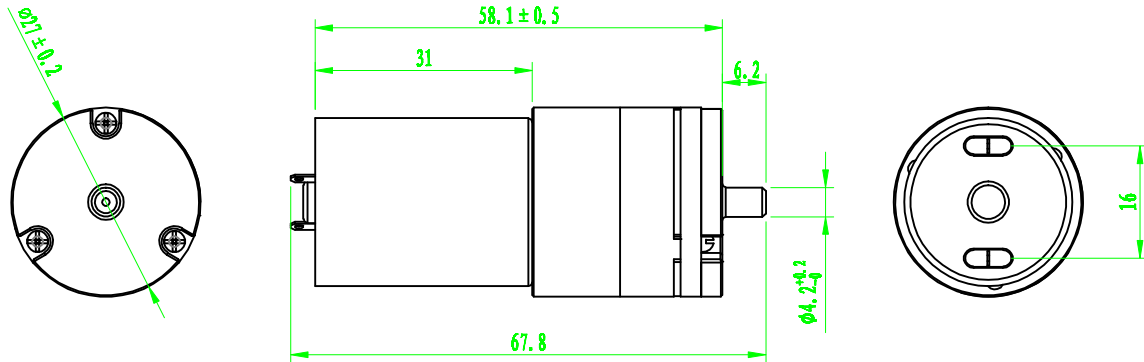


ZHP-370P Mini Pump

ISO/TS16949 ISO9000 ISO14000
RoHS REACH CE UL VDE TÜV



单位:mm Units:mm

规格参数

额定电压 Rated voltage	DC3.7V	DC6V	DC12V
额定电流 Rated current	<430mA	<300mA	<150mA
充气时间 Inflation time	<10S (From 0 to 300 mmHg in a 500CC tank)		
流量 Air flow	>1.8LPM		
最大压强 Max. Inflating Pressure	>500mmHg (65KPa)		
气密 Leakage	<3mmHg/min from 300 mmHg at 500CC tank		
噪音 Noise	52dB (30 cm away)		
使用流 Apply	Air		
寿命试验 Life test	50,000 Times		

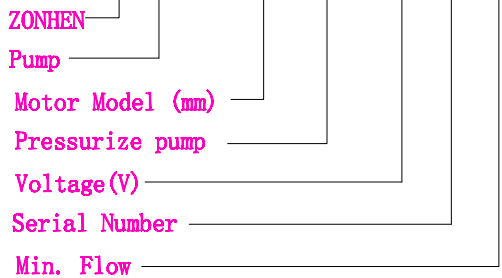


总重量 Total Weight: 60g

应用范围: 按摩器等
Application: Massager

型号 Type no.

ZHP - 370P - 06A1.8



气泵ZHP